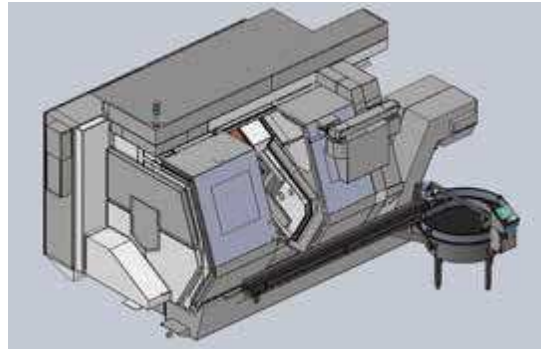
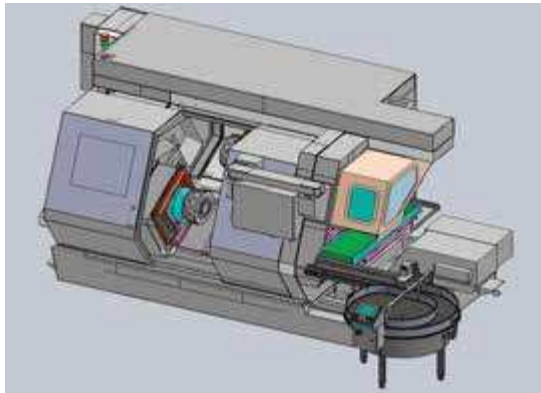
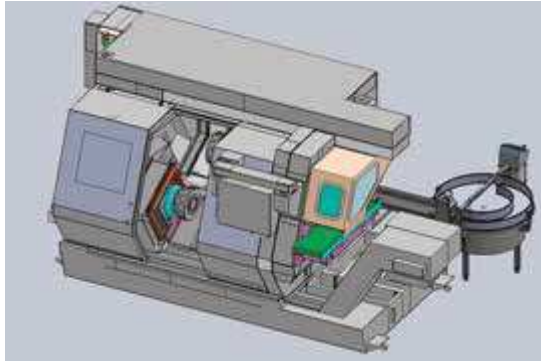




Wisconsin Custom Machinery, Inc.



PC-36 Lathe Part Accumulator

The PC-36 Accumulator was designed for use with CNC lathes to collect parts during unattended operation. For lathes with an outfeed conveyor, the unit is positioned so parts drop into the collection tray. For lathes without an outfeed conveyor, an optional belt conveyor collects the part from the drop chute and conveys it to the accumulation table. The conveyor allows the unit to be positioned left or right of the operators work zone. The PC36 features a 3-foot diameter turntable and 4" high guide fences. Table height is adjustable from 10" to 50" (legs are shipped max length and can be shortened for lower height). Table and fences are clad with industrial polymer for customer part protection.



Wisconsin Custom Machinery, Inc.

2346 North Main St., Suite 200

Oshkosh, WI 54901

Phone: (920) 230-2240

Fax: (920) 230-2250

Control Package:

The machine control panel has start and stop controls as well as a power disconnect switch. A touch screen control allows adjustment of timing functions such as time of table rotation per part drop, control of optional belt conveyor, part sensing, jog functions, part counting and automatic cycle-stop.

The PC-36 operates at 120v 60hz for ease of installation with push button controls operating at 24vDC.

Features:

- The PC-36 receives the parts from your lathe and gently accumulates them for unattended, or "lights out" operations.
- The table and guide fences are covered with a thick industrial polymer to protect your parts
- The PC-36 can operate independent or interface to the lathes machine control system for cycle control using M-code. All accumulators are prepped for either method.
- Coolant collections for the belt conveyor and accumulation table prevent any escaping coolant from creating hazards on the floor.
- The standard machine has a 36" diameter collection table. WCM also offers a 48" diameter model and can offer customization to suit the customer's needs
- A 36" long conveyor in the standard length, but WCM can offer different lengths to fit your application.
- The PC-36 operates at 120 volts and includes a power cord that plugs into a standard 15-amp outlet. An optional step down transformer allows the accumulator to operate off the machine tool's power. With this option, WCM includes a latching machine tool power plug that integrates power and control into one convenient connection.

Belt Conveyor:

An optional belt conveyor allows the accumulator to be offset left or right. The conveyor can be ordered for LH or RH operations.

